



PROJECT REF:	N/A
UNIT REF:	N/A
FOOT PRESSURE:	N/A
UDL:	N/A

Material grade: BS EN 10219-1:2006 (S235JR). Welding standard: BS EN ISO 15614-1. Galvanizing standard: BS EN ISO 1461:2009  
 Reference specification document "Custom Fabrication Specification" (BF-SPEC-050411) for further information  
 Reference specification document "Big Foot Systems Cross Bar Specification (BF-SPEC-230610) for further information

A

A

B

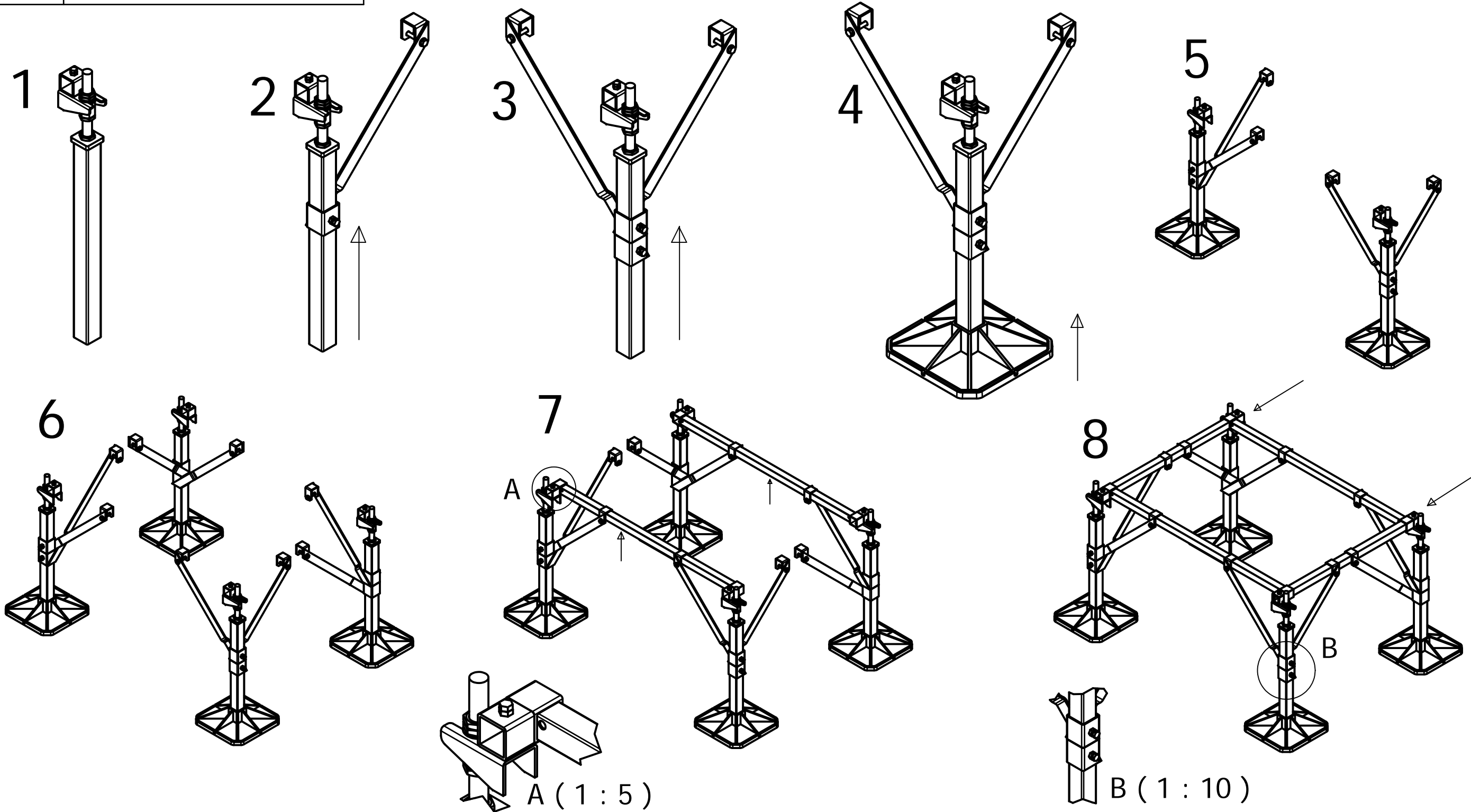
B

C

C

D

D



Installation and application considerations should include health, safety and environmental needs, regulations and standards, codes of practice, climate conditions, installation location, product orientation, evaluation of the roof structure, composition, surface and condition, ancillary and complimentary products and materials. Big Foot Systems recommend that all rooftop products are handled and installed by suitably qualified persons. All scheme designs are based on the use of Big Foot Systems' products and materials only. Terms and conditions available on request

REV A	DATE:	08/09/2015	SCALE: 1 : 10	A3
	DRAWN:	S BIRCH		
	CHECKED:	A SIMMANS	DIMENSIONS IN mm U.O.S	
		TOLERANCES: 0.0 ± 0.5mm U.O.S		
		SHEET 1 OF 1		

TITLE:	1.0m x 1.2m with 800 High Legs
DWG No.	B9569-002.dwg
THIS DRAWING IS COPYRIGHT AND THE PROPERTY OF BIG FOOT SYSTEMS LIMITED	

